



Sealing Solutions For **Mining**

Aluminium

Steel Mill

Hydraulic Cylinders Seals kits for the following types of equipments

Dump Trucks	Backhoes	Haul Trucks	Mining Hoes
Mining Shovels	Graders	Scrapers	Wheel Loaders
Dragline	Crusher	Excavators	Haulers

Hydraulic Cylinders Seals kits for the following types of equipments

Piston Seals	Accumulator Seas	Arm Seals	Boom Seals
Bucket Seals	Bull Lift Seals	Center Shift Seals	Clam Seals
Crowd Seals	Ejector Seals	Extension Stick Seals	Suspension Seals
Hoist Seals	Ripper Seals	Scarifier Seals	Steering
Stick Seals	Swing Seals	Mechanical Seals	Crusher Dust Seals

Hydraulic Seals and Face Seals By Brand

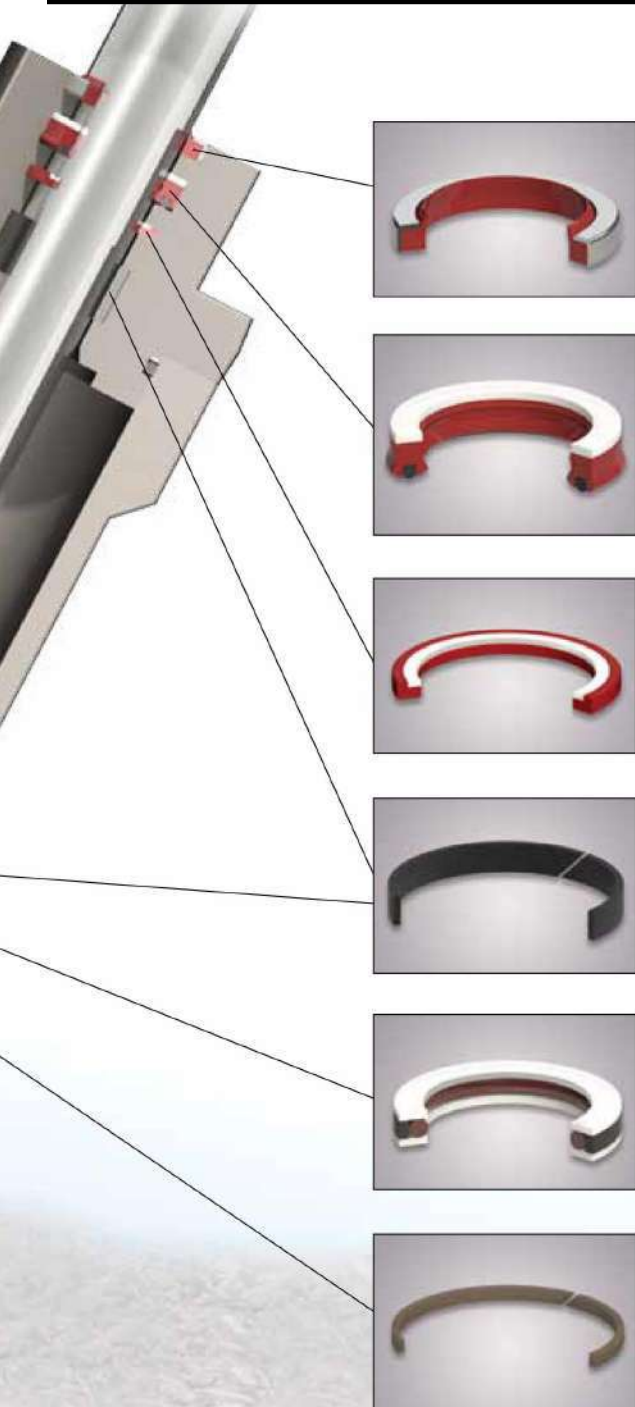
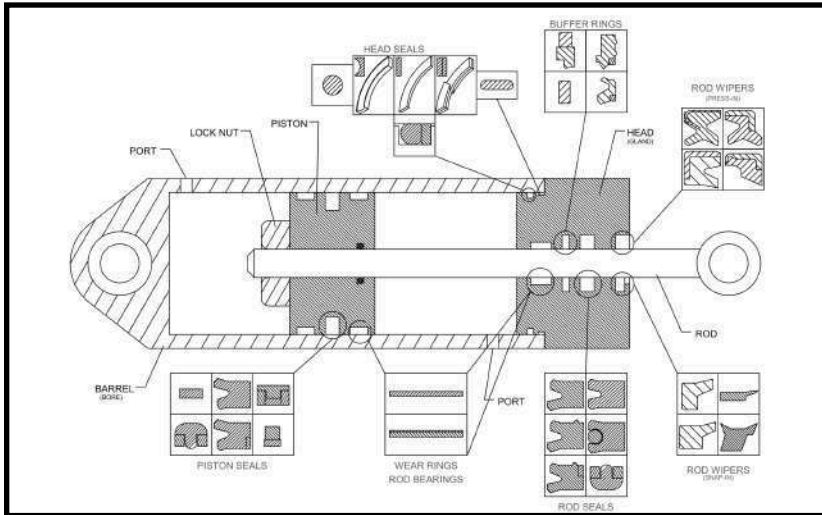
Caterpillar	Hitachi	Belaz	John Deere
Komatsu	Volvo(Samsung)	Hyundai	Atlas Copco
Doosan(Daewoo)	Sandvik	Metso	Benz
B&H	Dresser	Clarks	JCB
Kawasaki	Kato	Hy-Mac	Mitsubishi



Major Sealing Components



Cylinder Sealing Components



Wiper

Minimizes contaminants from entering the system

Our stainless steel canned wiper design effectively dislodges foreign material from the retracting rod which keeps external contaminants from entering the system, thus helping to minimize expensive gland replacements.

Rod Seal

Combats low pressure leakage

Unique heavy-duty, custom rod seal provides increased pre-loads to minimize issues associated with low pressure leakage while also providing added stability at higher pressures and temperatures.

Buffer Seal

Reduces impact of pressure spikes

Our buffer seal is designed to reduce the impact of pressure spikes on the primary seal while the custom vented slots minimize the possibility of pressure trapping between itself and the rod seal.

Precision Bearing Band

Minimizes metal-to-metal contact

These precision split bearing bands offer the same carrying load as bronze and, when used in combination with our sealing devices, have proven to be the ideal choice to optimize cylinder life.

Piston Seal

Bi-directional sealing system

This four-piece, bi-directional sealing system creates a very effective seal through the entire operating range even when exposed to tremendous pressure spikes.

Trash Ring

Absorbs contaminants within the fluid

This ancillary device functions as the first line of defense for piston seals and bearing bands by absorbing contaminants in the system, thus helping to protect the sealing components and extend maintenance intervals.

Hydraulic Seal Kits for Mining

Note: The following part numbers are only for the consumer to get acquainted with the company's products. Because the number of hydraulic seals in different parts of mining machinery is very wide

توجه: بارت نامبرهای ذیل صرفاً جهت آشنایی مصرف کننده با محصولات این شرکت می باشد. زیرا که تعداد سیل های آب بندی در بخش های

[®] CATERPILLAR CYLINDER REPAIR KITS OFF-HIGHWAY TRUCKS

MODELS 768, 768B, 768C, 769, 769B, 769C, 769D, 770, 771C, 771D, 772, 772B, 772E, 773, 773B, 773D, 773E, 773F, 773G, 775, 775B, 775D, 775E, 776, 776B, 776C, 776D, 777, 777B, 777C, 777D, 777F, 777G, 783B, 784B, 784C, 785, 785B, 785C, 786, 787B, 789, 789B, 789C, 789D, 793, 793B, 793C, 793D

WHEEL LOADERS

MODELS 980K, 988, 988B, 988F, 988G, 988H, 990, 992, 992B, 992C, 992D, 992G, 992K, 994D

UNDERGROUND LOADERS

MODELS R1300, R1300G, R1600, R1600G, R1700, R1700G

CRAWLER DOZERS

MODELS D9D, D9G, D9H, D9L, D9N, D9R, D9T, D10, D10N, D10R, D10T, D11N, D11R, D11T

MOTOR GRADERS

MODELS 14E, 14G, 14H, 16, 16G, 16H, 24H, 140B, 140G, 140H, 143H, 160G, 160H, 163H

EXCAVATORS

MODELS 375, 375L, 385B, 385B L, 385C, 385C FS, 385C L, 5110B

[®] EUCLID CYLINDER REPAIR KITS

OFF-HIGHWAY TRUCKS

MODEL R90

HITACHI CYLINDER REPAIR KITS HYDRAULIC EXCAVATOR

MODELS EX700, EX700H, EX1000, EX1200-5, EX1200-6, EX1800, EX3500, ZX800, ZX850H, ZX870H-3

WHEEL LOADERS

MODEL LX100

OFF-HIGHWAY TRUCKS

MODEL EH1600

KOMATSU CYLINDER REPAIR KITS

OFF-HIGHWAY TRUCKS

MODELS 830, 830E, 930, 930E-4, HD205-3, HD325-3, HD325-5, HD465-3, HD785-3, HD785-5, HD985-3, HD1200M-1

WHEEL LOADERS

MODELS WA470-6, WA600-1, WA600-3, WA300-3L, WA600-6, WA700-1, WA700-3, WA800-1, WA800-2, WA800-3, WA900-1, WA900-3, WA900-3-3EO, WA900-3LC, WA900L-3

CRAWLER DOZERS

MODELS D375A-1, D375A-2, D375A-3, D375A-5, D375A-6, D475A-1, D475A-2, D475A-3, D475A-3 SD, D475A-5, DX475A-5EO

EXCAVATORS

MODELS PC1000-1, PX1000SE-1, PC1000SP-1, PC1100-6, PC1100/SP-6, PC1250-7, PC1250-8, PC1800-6, PC2000-8

ARTICULATED DUMP TRUCKS

®
SANDVIK CYLINDER REPAIR KITS

WHEEL LOADERS

MODELS LH203, LH307, LH410, LH410M, TORO 007, TORO 1250

MODEL RH90-C, RH120-E **OFF-HIGHWAY TRUCKS**

VOLVO CYLINDER REPAIR KITS

WHEEL LOADERS

MODELS L220D, L220E, L220F, L220G, L250G, L270, L270B, L320, L330C, L330C BM, L330C LL, L330C LL BM, L330D, L330E, L350F, L480, L480B, L480T

ARTICULATED DUMP TRUCKS

MODELS 535B, A20, A25, A25B, A25C, A25D, A25E, A25F, A30, A30C, A30D, A30E, A30F, A35, A35C, A35D, A35E, A35F, A40, A40D, A40E, A40F

EXCAVATORS

MODELS EC700B, EC700B LC, EC700C L, EC700C LD

LONGWALL SEALS

Anti-Extrusion Ring

• MPSA-750 – Four Piece Double Acting Piston Seal with Nitrile

Energizer, behind a TPE Cap Ring

• MTPS – Four Piece Double Acting Piston Seal with Nitrile Energizer

& 55D TPE Cap Ring

• MW38 – Snap-In 55D Polyester Wiper Rings made with Tough

Abrasion Resistant Polyester

• MUHS – Head Seal for use in High Water Content Fluids

MINING SEALS

• MSWE-XLF – Urethane Wiper Rings with Dust Lip & Ribbed Inside Diameter • MHSNB – Head Seals Design, Comprised of a Nitrile Seal & Hard

MOTOR GRADERS

MODELS 14B, 14C, 14D, 14E, 14G, 14H, 14NA, 16, 16G, 16HNA, 16M, 24H

WHEEL DOZERS

MODELS 844, 844H, 854G **WHEEL LOADERS**

MODELS 988, 988B, 988F, 988G, 990, 990H, 992, 992B, 992C, 992D, 992G, 994, 994D, R1300

CRAWLER TRACTORS

MODELS D8, D8D, D8E, D8F, D9G, D8H, D8K, D8L, D8N, D8R, D8T, D9D, D9E, D9G, D9L D9N, D9T, D10, D10N, D10R, D10T, D11N, D11R, D11T

ARTICULATED TRUCKS

MODELS 725, 730, 735, 740, D20D, D25C, D25D, D30C, D30D, D35C, D35HP, D40D, D44, D250B, D250D, D250E, D300B, D300D, D300E, D350C, D350D, D350E, D400, D400D, D400E, D550, D550B

MINE / HAUL TRUCKS

MODELS 777, 777B, 777C, 777F, 784B, 784C, 785, 785B, 785C, 789, 789B, 789C, 793, 793B, 793C, 793D, 797, 797B

OFF-HIGHWAY TRUCKS

MODELS 768B, 768C, 769, 769B, 769C, 769D, 771C, 771D, 772, 772B, 773, 773B, 773D, 775B, 775D, 776, 776B, 776C, 776D

HYDRAULIC SHOVELS

MODELS 5080, 5110, 5130, 5130B, 5230

SCRAPERS

MODELS 621, 621B, 621E, 621F, 621G, 621R, 621S, 623, 623B, 623E, 623F, 623G, 627, 627B, 627E, 627F, 627G, 631A, 631B, 631C, 631D, 631E, 631G, 637, 637B, 637D, 637E,

Caterpillar Seal Kits

Note: It's Just for instance, and any brand could be considered



Hydraulic Cylinder
CATERPILLAR Seal Kits



CATERPILLAR Arm Seal Kit



CATERPILLAR Boom Seal
Kit



CATERPILLAR Bucket Seal
Kit



CATERPILLAR Blade Seal
Kit



CATERPILLAR Centre Joint
Kit



CATERPILLAR Control Valve
Kit



CATERPILLAR T T Kit



CATERPILLAR Idler Adjuster
kit

Mechanical Face Seals in Mining

Note: The following part numbers are only for the consumer to get acquainted with the company's products. Because the number of mechanical face seal in different parts of mining machinery is very wide

توجه: پارت نامبرهای ذیل صرفاً جهت آشنایی مصرف کننده با محصولات این شرکت می باشد. زیرا که تعداد سیل های مکانیکی در بخش های مختلف ماشین آلات معدنی بسیار گسترده می باشد.

Brand	Bulldozers	Excavators	Haul Trucks	Wheel Loaders	Shovel
Caterpillar	D8-D11	336,349,352	777,785,789,793,795,797	986,988,992,994	6105,6050,6030,6040,6050,6060,6090
Hitachi		EX1200,1900,2600	EH1100,1700,3500,4000,5000		EX3600,5600,8000
John Deere	655, 700, 750, 755, 850, 1050	250, 300, 380, 470, 670, 870	250, 300, 370, 410, 460	624, 644, 724, 744, 824, 844, 944	
Komatsu	D357A,D475A	PC2000,3000,4000,		WA800,WA900mW A1200	PC5500,PC8000
Volvo					
Terex		TXC180,225,300,340	TR45,TR60,TR70,TR100	TL160,20,260,310	RH120,170,200,340,400
Kobelco					



- Face Seal in sizes up to 1100mm
- Seals Available in cast or forged material
- O-ring loaders available in silicone, NBR or Viton Material

FPS Seals For Crusher

Note: The following part numbers are only for the consumer to get acquainted with the company's products. Because the number of the seals in different parts of mining crushers is very wide

توجه: بارت نامبرهای ذیل صرفاً جهت آشنایی مصرف کننده با محصولات این شرکت می باشد. زیرا که نوع کراشر (سنگ شکن های مختلف) بسیار گسترده می باشد.

Sandvik	H3000	H3800	CH430
Metso	HP200	HP300	HP400,HP500

Metso Dust Seal GP300



Sandvik H4000/H4800/CH440

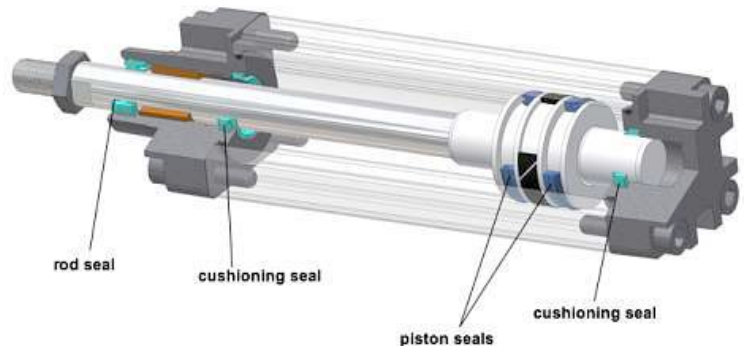


Metso Gyrotory Crusher (MKIII Series)



FPS Seal Kits in Aluminium Industries

Application	Equipment	Product
POT Room	Pneumatic cylinder for Point Feeder	SEAL KIT
PTM Crane	Crust Breaker Hydraulic cylinder	SEAL KIT
PTM Crane	Shovel Bucket Hydraulic cylinder	SEAL KIT
Auto Shop	Hydraulic cylinder	SEAL KIT
Billet Casting	Valves, Compressor	Special Seals



- 5" **Crust Breaker** Seal Kits (Parker)
- 8" **Crust Breaker** Seal Kits (Parker)
- 200mm **Tap Hole** Cylinder Seal Kit (Pechiney)
- **Point Feeder** Cylinder Seal Kits (Parker and Pechiney)



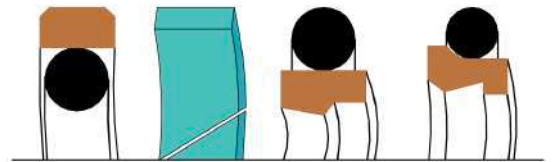
FPS Seals For Steel Industry

V-Packing Set consists of two support rings and two centre rings in Teflon & 3 centre rings in FKM fabric



Working Conditions	
Pressure	400 Bar
Temperature	-400° C to +250° C
Speed	1 mtr/sec

Continuous Casting



Automatic Gauge Control Cylinders

